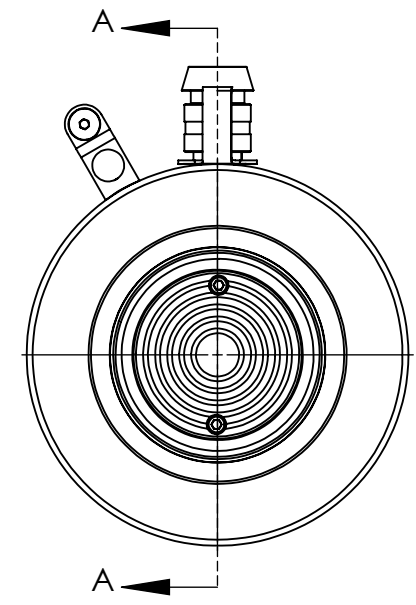


SECTION A-A

Note: # = Stroke

ITEM NO.	QTY.	PART DESCRIPTION	PART CODE
1	1	SADDLE	OR100 - 1
2	1	WIPER RING	OR100 - 2
3	1	RETAINING NUT	OR100 - 3
4	1	PISTON	OR100/# - 4
5	1	PISTON SEALS	OR100 - 5
6	1	SPRING ASSEMBLY	OR100/# - 6
7	1	CYLINDER HOUSING	OR100/# - 7
8	2	COPPER GASKET	OR100 - 8
9	2	CAP SCREW	OR100 - 9
10	2	SADDLE SCREWS	OR100 - 10
11	4	ALLAN HEAD COUNTERSUNK SCREW	516NC34
12	2	HANDLE SUPPORT	HND01
13	1	HANDLE BAR	OR100/#-13
14	1	COUPLER & DUST CAP	FQCDC01
15		100 TON SEAL KIT (2,5,8)	ORS 100



DO NOT SCALE DRAWING		REVISION AUGUST 2013	
ORBIT MANUFACTURING INC.			
TITLE:		Orbit Manufacturing Inc. #104 - 3070 Norland Avenue Burnaby, B.C. Canada V5B 3A6	
Assembly			
DWG NO.		OR 100	
		LETTER	
SCALE:1:4		SHEET 1 OF 1	