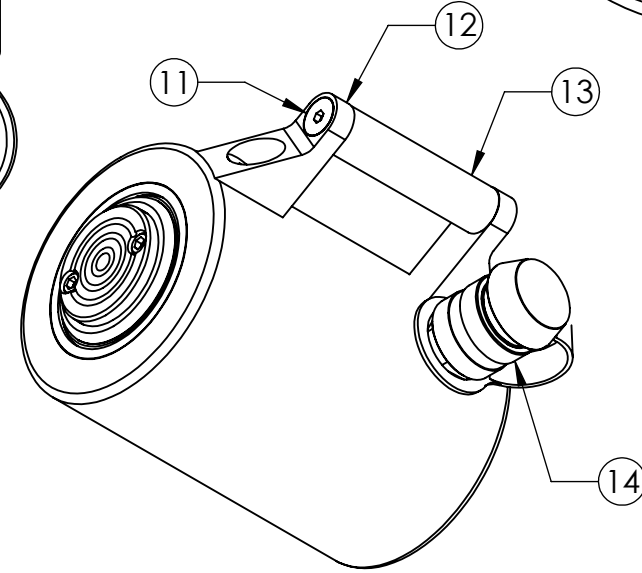
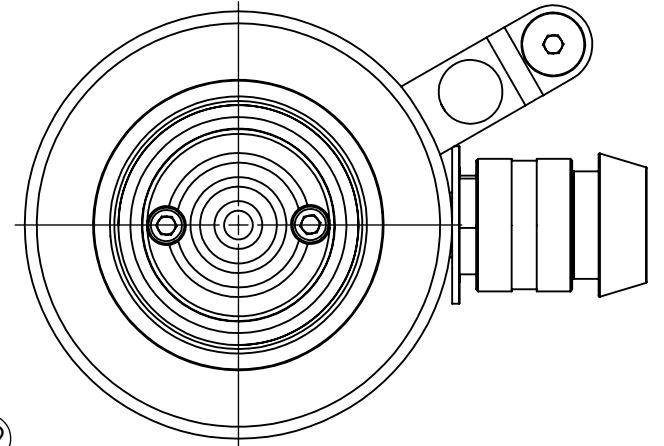
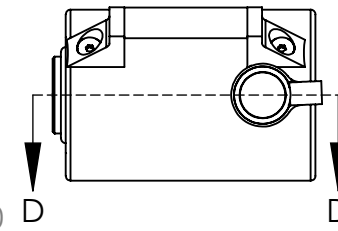


Solid OR 30 Scale 1:5



Solid OR 30 3D Scale 1:3

Note: # = stroke

ITEM NO.	QTY.	PART DISCRPTION	PART CODE
1	1	SADDLE	OR30 -1
2	1	WIPER RING	OR30 -2
3	1	RETAINING NUT	OR30 - 3
4	1	PISTON	OR30/#-4
5	1	PISTON SEALS	OR30 -5
6	1	SPRING ASSEMBLY	OR30/#-6
7	1	CYLINDER HOUSING	OR30/#-7
8	2	COPPER GASKET	OR30 -8
9	2	CAP SCREW	OR30 - 9
10	2	SADDLE SCREWS	OR30 - 10
11	4	ALLAN HEAD COUNTERSUNK SCREW	516NC34
12	2	HANDLE SUPPORT	HND01
13	1	HANDLE BAR	OR30/# - 13
14	1	COUPLER & DUST CAP	FQCDC01
15		30 TON SEAL KIT {2,5,8}	ORS 30

DO NOT SCALE DRAWING

REVISION AUGUST 2013

**ORBIT MANUFACTURING INC.**

TITLE:

Assembly

**Orbit Manufacturing Inc.**  
 #104 - 3070 Norland Avenue  
 Burnaby, B.C.  
 Canada V5B 3A6

DWG NO.

OR 30

Letter

SCALE:1:5

SHEET 1 OF 1