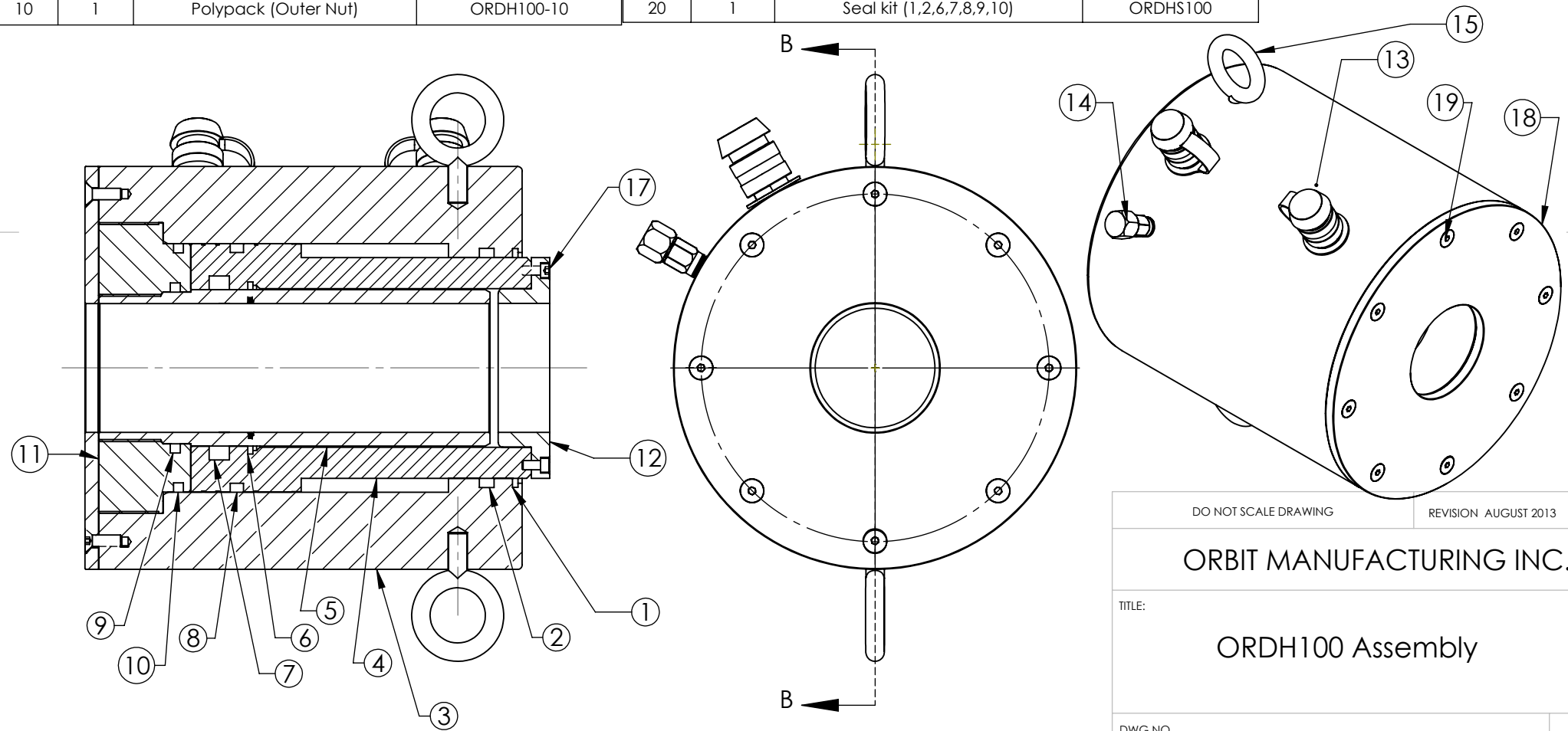


Item	Qty.	Part Description	Part Code	Item	Qty.	Part Description	Part Code
1	1	Cylinder Wiper	ORDH100-1	11	1	Bottom Nut	ORDH100-11
2	1	Polypack (Cylinder)	ORDH100-2	12	1	Saddle	ORDH100-12
3	1	Cylinder body	ORDH100/#-3	13	2	Coupler & Dust Cap	FQCDC01
4	1	Piston	ORDH100/#-4	14	1	Relief Valve	RELVA01
5	1	Inner Tube	ORDH100/#-5	15	2	1/2" Eyebolt	12EB01
6	1	Piston Wiper	ORDH100 - 6	16	N/A	N/A	N/A
7	1	Polypack (Inner Pist)	ORDH100-7	17	4	Saddle Screws	ORDH 100 - 17
8	1	Piston Seal	ORDH100-8	18	1	Steel Base Plate	SBPORDH100
9	1	Polypack (Inner Nut)	ORDH100-9	19	8	BasePlate Screw	516NC34
10	1	Polypack (Outer Nut)	ORDH100-10	20	1	Seal kit (1,2,6,7,8,9,10)	ORDHS100

Note: # = Stroke



SECTION B-B
SCALE 1 : 4

DO NOT SCALE DRAWING	REVISION AUGUST 2013
ORBIT MANUFACTURING INC.	
TITLE: ORDH100 Assembly	
DWG NO. ORDH 100/2,4,6,8,10	A4
SCALE:1:8	SHEET 1 OF 1