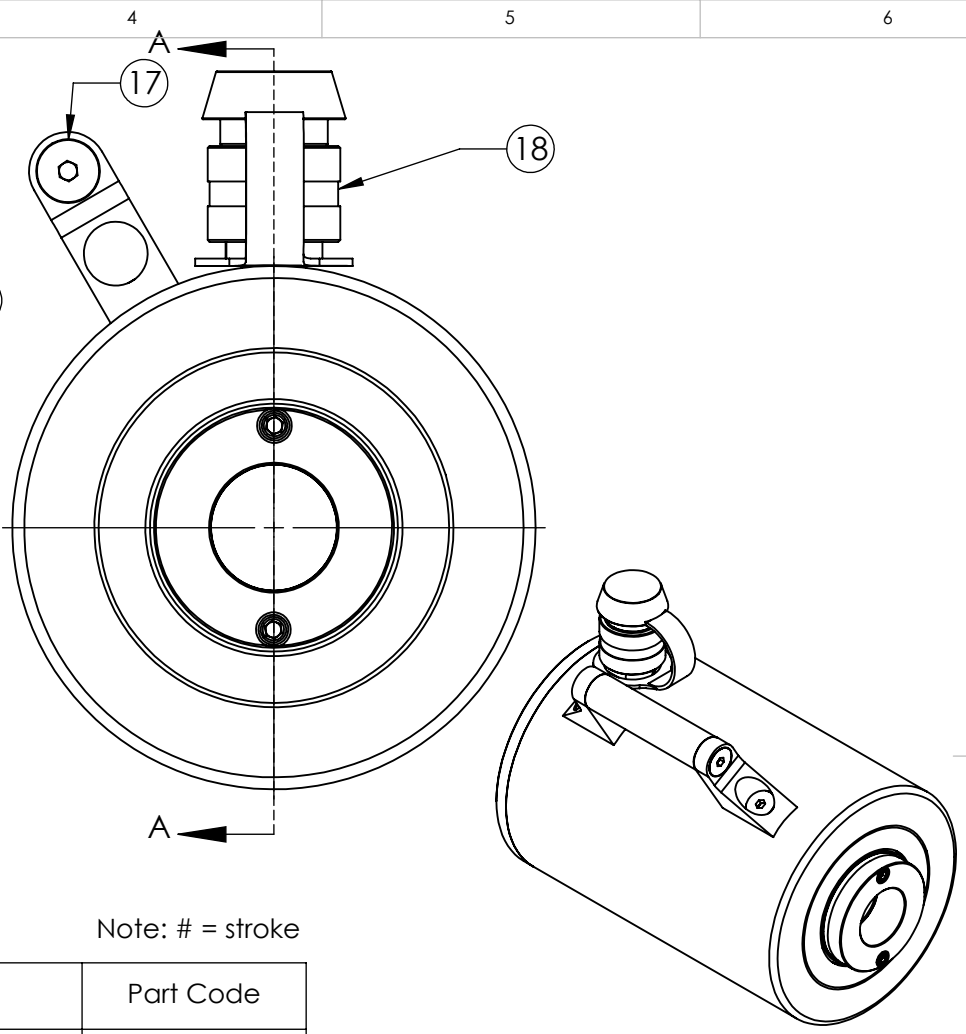


SECTION A-A
SCALE 1 : 2



Note: # = stroke

No.	Qty.	Part Description	Part Code
1	1	SADDLE	ORSH30-1
2	2	SADDLE SCREWS	ORSH30-2
3	1	RETAINING WIPER SEAL	ORSH30-3
4	1	RETAINING NUT	ORSH30-4
5	1	CYLINDER HOUSING	ORSH30/#-5
6	1	SPRING RETAINING SLEEVE	ORSH30-6
7	1	SPRING (NOT SHOWN)	ORSH30-7
8	1	PISTON WIPER SEAL	ORSH30-8
9	1	PISTON TP SEAL	ORSH30-9
10	1	PISTON POLYPACK	ORSH30-10

No.	Qty.	Part Description	Part Code
11	1	CYLINDER POLYPACK	ORSH30-11
12	1	PISTON	ORSH30/#-12
13	1	RETAINER PLATE	ORSH30-13
14	4	RETAINER PLATE SCREW	516NC34
15	2	HANDLE SUPPORT	HND01
16	1	HANDLE BAR	ORSH30/#-16
17	4	HANDLE SCREW	HNDSC01
18	1	COUPLER & DUST CAP	FQCDC01
19	1	INNER TUBE	ORSH30/#-19
20	1	SEAL KIT (3,8,9,10,11)	ORSHS 30

DO NOT SCALE DRAWING	REVISION
ORBIT MANUFACTURING INC.	
ORSH 30 Assembly <small>Orbit Manufacturing Inc. #104 - 3070 Norland Avenue Burnaby, B.C. Canada V5B 3A6</small>	
DWG NO.	A4
ORSH 30	
SCALE:1:4	SHEET 1 OF 1